



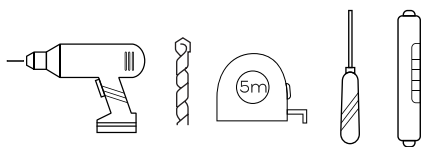
INSTALLATION INSTRUCTIONS

ErgoSafetyBar

4005-SSP	PW-94005-41PSS
4005-SSB	PW-94005-41BSS
4005-MB	PW-94005-41BM
4005-ORB	PW-94005-41BRZSS



TOOLS REQUIRED FOR INSTALLATION



Electric Drill
1/8" wood or metal drill bit
5/16" masonry drill bit
Tape measure
Screwdriver
Level

IMPORTANT

Check local code for proper placement of ErgoSafetyBar to meet requirement such as ADA or ANSI 117.1 Consumer Safety Requirements.

ERGOSAFETYBAR CAN BE MOUNTED THROUGH SHOWER WALL AND SCREWED DIRECTLY TO WOOD OR METAL STUD WHEN APPLICABLE.

INSTALLATION QUESTIONS

Before returning your ErgoSafetyBar to the store or have any questions about installation or missing parts, please visit the CUSTOMER CARE area on our website www.PulseShowerSpas.com.

WARRANTY

Please visit www.PulseShowerSpas.com for our Manufacturer's Lifetime Limited Warranty information.

PARTS INCLUDED

- Stainless steel rail
- Mounting screws
- Washers

WARNING:

BOTH ends of grab bar must be installed into WOOD wall studs

INSTALLATION

STEP 1

Position mounting flanges and mark hole locations.

For wood or solid backing applications drill 1/8" pilot holes through shower wall into wood or metal stud.

NOTE: If wall is tiled, drill a 1/8" pilot hole through tile then change to the a 5/16" diameter masonry tile drill bit.

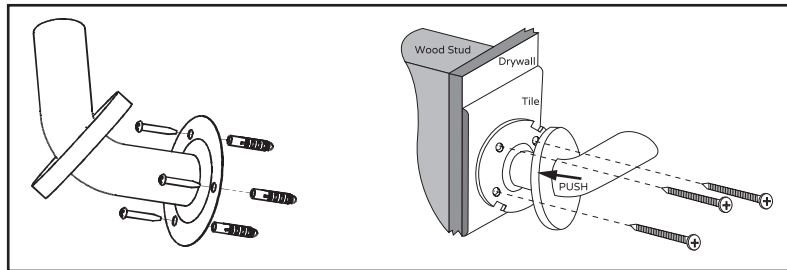
STEP 2

Install screws through mounting flange and directly into wood/metal stud or bracing. Use masonry anchors if necessary.

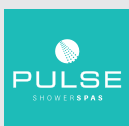
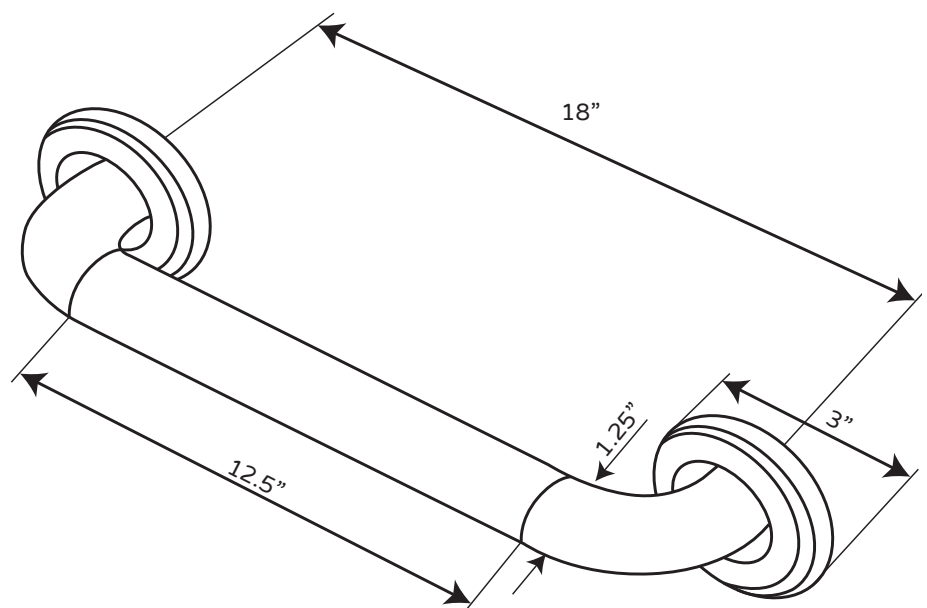
STEP 3

Once the ErgoSafetyBar is securely fastened to wall, align cover plate locking tabs with slots in flange. Push cover against mounting until it locks.

DETAIL MOUNTING INSTALLATION



PRODUCT DIMENSIONS



www.PulseShowerSpas.com

